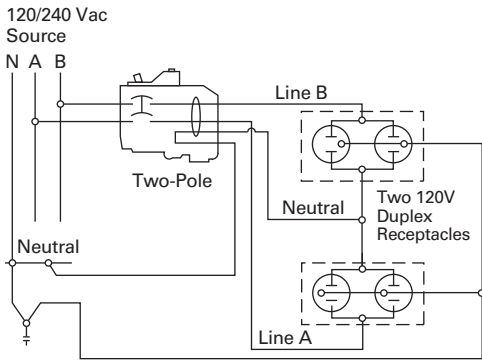


1.2

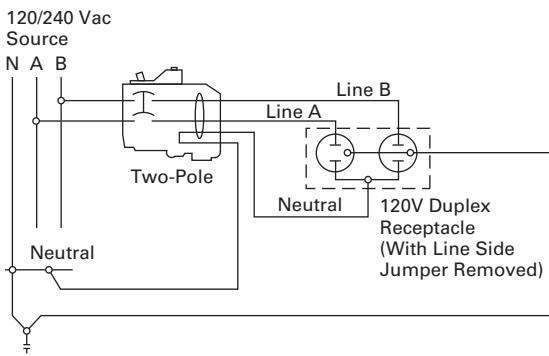
Loadcenters and Circuit Breakers

Type BR Loadcenters and Circuit Breakers

1 Two-Pole 120 V Multi-Duplex Receptacle Application



Two-Pole 120 V Duplex Receptacle Application



Two-Pole 240 V Duplex Receptacle Application

